

FORCENERGY, INC.
OCS-G-2580/16314 (VERMILION 380-A & MISC)

A18 ST1
N
VERMILION AREA SOUTH ADDITION
OFFSHORE LOUISIANA

P R O P O S A L L I S T I N G

by
Baker Hughes INTEQ

Your ref : Rev 3.1; Name Change (3/23/00)
Our ref : prop8292
License : OCSG-16314; BHL VE 381

Date printed : 23-Mar-2000
Date created : 27-Oct-1999
Last revised : 23-Mar-2000

Field is centred on 1706414.364,-213706.911,999.00000,N
Structure is centred on 1706414.364,-213706.911,999.00000,N

Slot location is n28 3 34.614,w92 16 16.437
Slot Grid coordinates are N -219550.330, E 1697346.730
Slot local coordinates are 5843.42 S 9067.63 W

Projection type: lambert - Louisiana South (1702), Spheroid: Clarke - 1866

Reference North is Grid North

CS-G-2580/16314 (VERMILION 380-A & MISC)Vermilion
 VERMILION AREA SOUTH ADDITION, OFFSHORE LOUISIANA

Your ref : Rev 3.1; Name Change (3/23/00)
 Last revised : 23-Mar-2000

Measured Depth	Inclin Degrees	Azimuth Degrees	True Vert Depth	R E C T A N G U L A R		G R I D C O O R D S		G E O G R A P H I C					
				C O O R D I N A T E S		Easting	Northing	C O O R D I N A T E S					
6400.00	38.63	239.85	5400.86	1536.92S	2552.10W	1694794.63	-221087.25	n28	3	19.20	w92	16	44.77
6500.00	38.48	236.38	5479.08	1569.83S	2605.00W	1694741.73	-221120.16	n28	3	18.87	w92	16	45.35
6600.00	38.43	232.91	5557.40	1605.80S	2655.70W	1694691.03	-221156.13	n28	3	18.51	w92	16	45.91
6700.00	38.48	229.43	5635.72	1644.78S	2704.12W	1694642.61	-221195.11	n28	3	18.12	w92	16	46.45
6800.00	38.64	225.97	5713.92	1686.72S	2750.21W	1694596.52	-221237.05	n28	3	17.70	w92	16	46.96
6900.00	38.90	222.54	5791.90	1731.56S	2793.89W	1694552.84	-221281.89	n28	3	17.25	w92	16	47.44
6974.78	39.16	220.00	5850.00	1766.95S	2824.94W	1694521.79	-221317.28	n28	3	16.90	w92	16	47.79
7000.00	39.05	221.11	5869.57	1779.04S	2835.28W	1694511.45	-221329.37	n28	3	16.78	w92	16	47.90
7100.00	38.74	225.58	5947.42	1824.68S	2878.34W	1694468.39	-221375.01	n28	3	16.32	w92	16	48.38
7200.00	38.60	230.08	6025.51	1866.60S	2924.62W	1694422.11	-221416.93	n28	3	15.90	w92	16	48.89
7300.00	38.63	234.60	6103.67	1904.70S	2974.00W	1694372.73	-221455.03	n28	3	15.52	w92	16	49.44
7400.00	38.83	239.10	6181.69	1938.89S	3026.35W	1694320.38	-221489.22	n28	3	15.18	w92	16	50.02
7487.88	39.16	243.00	6250.00	1965.64S	3074.72W	1694272.01	-221515.97	n28	3	14.91	w92	16	50.56
7500.00	39.15	242.99	6259.40	1969.12S	3081.54W	1694265.19	-221519.45	n28	3	14.88	w92	16	50.63
7600.00	39.15	242.90	6336.95	1997.84S	3137.77W	1694208.96	-221548.17	n28	3	14.59	w92	16	51.26
7700.00	39.15	242.81	6414.49	2026.65S	3193.96W	1694152.77	-221576.98	n28	3	14.30	w92	16	51.88
7800.00	39.15	242.72	6492.04	2055.54S	3250.09W	1694096.64	-221605.87	n28	3	14.01	w92	16	52.50
7900.00	39.15	242.63	6569.60	2084.52S	3306.18W	1694040.55	-221634.85	n28	3	13.72	w92	16	53.13
8000.00	39.15	242.54	6647.15	2113.59S	3362.22W	1693984.51	-221663.92	n28	3	13.42	w92	16	53.75
8100.00	39.14	242.45	6724.70	2142.75S	3418.21W	1693928.52	-221693.08	n28	3	13.13	w92	16	54.37
8200.00	39.14	242.36	6802.26	2172.00S	3474.15W	1693872.58	-221722.33	n28	3	12.84	w92	16	54.99
8300.00	39.14	242.27	6879.82	2201.33S	3530.05W	1693816.68	-221751.66	n28	3	12.54	w92	16	55.61
8400.00	39.14	242.18	6957.38	2230.75S	3585.90W	1693760.83	-221781.08	n28	3	12.25	w92	16	56.23
8500.00	39.14	242.09	7034.94	2260.25S	3641.70W	1693705.03	-221810.58	n28	3	11.95	w92	16	56.85
8600.00	39.14	241.99	7112.50	2289.85S	3697.45W	1693649.28	-221840.18	n28	3	11.65	w92	16	57.47

All data in feet unless otherwise stated. Calculation uses minimum curvature method.

Coordinates from N and TVD from 126' RKB (126.00 Ft above mean sea level).

Bottom hole distance is 8183.68 on azimuth 238.78 degrees from wellhead.

Vertical section is from N 0.00 W 0.00 on azimuth 238.90 degrees.

Grid is Lambert - Louisiana South (1702).

Lambert coordinates in FEET and computed using the Clarke - 1866 spheroid

Presented by Baker Hughes INTEQ

OCS-G-2580/16314 (VERMILION 380-A & MISC)Vermilion
VERMILION AREA SOUTH ADDITION, OFFSHORE LOUISIANA

Your ref : Rev 3.1; Name Change (3/23/00)
Last revised : 23-Mar-2000

Measured Depth	Inclin Degrees	Azimuth Degrees	True Vert Depth	R E C T A N G U L A R		G R I D		G E O G R A P H I C					
				C O O R D I N A T E S		Easting	Northing	C O O R D I N A T E S					
8700.00	39.14	241.90	7190.07	2319.53S	3753.15W	1693593.58	-221869.86	n28	3	11.35	w92	16	58.09
8800.00	39.14	241.81	7267.63	2349.30S	3808.81W	1693537.92	-221899.63	n28	3	11.05	w92	16	58.71
8900.00	39.13	241.72	7345.20	2379.15S	3864.42W	1693482.31	-221929.48	n28	3	10.75	w92	16	59.33
9000.00	39.13	241.63	7422.76	2409.09S	3919.97W	1693426.76	-221959.42	n28	3	10.45	w92	16	59.94
9100.00	39.13	241.54	7500.33	2439.12S	3975.49W	1693371.24	-221989.45	n28	3	10.15	w92	17	00.56
9200.00	39.13	241.45	7577.90	2469.24S	4030.95W	1693315.78	-222019.57	n28	3	09.85	w92	17	01.18
9300.00	39.13	241.36	7655.47	2499.44S	4086.36W	1693260.37	-222049.77	n28	3	09.55	w92	17	01.79
9400.00	39.13	241.27	7733.04	2529.73S	4141.73W	1693205.00	-222080.06	n28	3	09.24	w92	17	02.41
9500.00	39.13	241.18	7810.61	2560.11S	4197.04W	1693149.69	-222110.44	n28	3	08.94	w92	17	03.02
9600.00	39.13	241.09	7888.19	2590.57S	4252.31W	1693094.42	-222140.90	n28	3	08.63	w92	17	03.63
9700.00	39.13	241.00	7965.76	2621.12S	4307.53W	1693039.20	-222171.45	n28	3	08.32	w92	17	04.25
9800.00	39.13	240.91	8043.33	2651.76S	4362.70W	1692984.03	-222202.09	n28	3	08.01	w92	17	04.86
9900.00	39.13	240.82	8120.91	2682.49S	4417.82W	1692928.91	-222232.82	n28	3	07.71	w92	17	05.47
10000.00	39.13	240.73	8198.48	2713.30S	4472.89W	1692873.84	-222263.63	n28	3	07.40	w92	17	06.08
10100.00	39.13	240.64	8276.05	2744.20S	4527.92W	1692818.81	-222294.53	n28	3	07.09	w92	17	06.69
10200.00	39.13	240.55	8353.63	2775.18S	4582.89W	1692763.84	-222325.51	n28	3	06.78	w92	17	07.30
10300.00	39.13	240.46	8431.20	2806.25S	4637.82W	1692708.91	-222356.58	n28	3	06.46	w92	17	07.91
10400.00	39.13	240.37	8508.78	2837.41S	4692.69W	1692654.04	-222387.74	n28	3	06.15	w92	17	08.52
10500.00	39.13	240.28	8586.35	2868.66S	4747.52W	1692599.21	-222418.99	n28	3	05.84	w92	17	09.13
10600.00	39.13	240.19	8663.92	2899.99S	4802.30W	1692544.43	-222450.32	n28	3	05.52	w92	17	09.74
10700.00	39.13	240.10	8741.50	2931.41S	4857.03W	1692489.70	-222481.74	n28	3	05.21	w92	17	10.35
10800.00	39.13	240.01	8819.07	2962.91S	4911.71W	1692435.02	-222513.24	n28	3	04.89	w92	17	10.95
10900.00	39.13	239.92	8896.64	2994.50S	4966.34W	1692380.39	-222544.83	n28	3	04.57	w92	17	11.56
11000.00	39.13	239.82	8974.22	3026.18S	5020.92W	1692325.81	-222576.51	n28	3	04.26	w92	17	12.17
11100.00	39.13	239.73	9051.79	3057.94S	5075.45W	1692271.28	-222608.27	n28	3	03.94	w92	17	12.77

All data in feet unless otherwise stated. Calculation uses minimum curvature method.

Coordinates from N and TVD from 126' RKB (126.00 Ft above mean sea level).

Bottom hole distance is 8183.68 on azimuth 238.78 degrees from wellhead.

Vertical section is from N 0.00 W 0.00 on azimuth 238.90 degrees.

Grid is Lambert - Louisiana South (1702).

Lambert coordinates in FEET and computed using the Clarke - 1866 spheroid

Presented by Baker Hughes INTEQ

DCS-G-2580/16314 (VERMILION 380-A & MISC)Vermilion
 VERMILION AREA SOUTH ADDITION, OFFSHORE LOUISIANA

Your ref : Rev 3.1; Name Change (3/23/00)
 Last revised : 23-Mar-2000

Measured Depth	Inclin Degrees	Azimuth Degrees	True Vert Depth	R E C T A N G U L A R		G R I D C O O R D S		G E O G R A P H I C		
				C O O R D I N A T E S		Easting	Northing	C O O R D I N A T E S		
1200.00	39.13	239.64	9129.36	3089.79S	5129.93W	1692216.80	-222640.12	n28	3 03.62	w92 17 13.38
1300.00	39.13	239.55	9206.93	3121.73S	5184.36W	1692162.37	-222672.06	n28	3 03.30	w92 17 13.98
1400.00	39.13	239.46	9284.50	3153.75S	5238.74W	1692107.99	-222704.08	n28	3 02.97	w92 17 14.59
1500.00	39.13	239.37	9362.07	3185.86S	5293.08W	1692053.65	-222736.19	n28	3 02.65	w92 17 15.19
1600.00	39.13	239.28	9439.64	3218.06S	5347.36W	1691999.37	-222768.39	n28	3 02.33	w92 17 15.79
1700.00	39.13	239.19	9517.20	3250.34S	5401.59W	1691945.14	-222800.67	n28	3 02.01	w92 17 16.39
1800.00	39.14	239.10	9594.77	3282.71S	5455.77W	1691890.96	-222833.04	n28	3 01.68	w92 17 16.99
1900.00	39.14	239.01	9672.33	3315.17S	5509.91W	1691836.82	-222865.50	n28	3 01.36	w92 17 17.59
2000.00	39.14	238.92	9749.90	3347.71S	5563.99W	1691782.74	-222898.04	n28	3 01.03	w92 17 18.20
2100.00	39.14	238.83	9827.46	3380.33S	5618.02W	1691728.71	-222930.66	n28	3 00.70	w92 17 18.79
2200.00	39.14	238.74	9905.02	3413.05S	5672.01W	1691674.72	-222963.38	n28	3 00.37	w92 17 19.39
2300.00	39.14	238.65	9982.58	3445.85S	5725.94W	1691620.79	-222996.18	n28	3 00.04	w92 17 19.99
2400.00	39.14	238.56	10060.14	3478.73S	5779.82W	1691566.91	-223029.06	n28	2 59.71	w92 17 20.59
2412.72	39.14	238.55	10070.00	3482.92S	5786.67W	1691560.06	-223033.25	n28	2 59.67	w92 17 20.67
2500.00	39.14	238.47	10137.69	3511.70S	5833.66W	1691513.07	-223062.03	n28	2 59.38	w92 17 21.19
2600.00	39.15	238.38	10215.25	3544.76S	5887.44W	1691459.29	-223095.09	n28	2 59.05	w92 17 21.78
2700.00	39.15	238.29	10292.80	3577.90S	5941.17W	1691405.56	-223128.23	n28	2 58.72	w92 17 22.38
2800.00	39.15	238.20	10370.35	3611.13S	5994.85W	1691351.88	-223161.46	n28	2 58.39	w92 17 22.98
2900.00	39.15	238.11	10447.90	3644.45S	6048.48W	1691298.25	-223194.78	n28	2 58.05	w92 17 23.57
3000.00	39.15	238.02	10525.45	3677.85S	6102.07W	1691244.66	-223228.18	n28	2 57.72	w92 17 24.17
3100.00	39.16	237.93	10602.99	3711.33S	6155.60W	1691191.13	-223261.66	n28	2 57.38	w92 17 24.76
3200.00	39.16	237.84	10680.53	3744.90S	6209.07W	1691137.66	-223295.23	n28	2 57.04	w92 17 25.35
3258.64	39.16	237.78	10726.00	3764.63S	6240.41W	1691106.32	-223314.96	n28	2 56.85	w92 17 25.70
3500.00	39.16	237.78	10913.15	3845.89S	6369.36W	1690977.37	-223396.22	n28	2 56.03	w92 17 27.13
4000.00	39.16	237.78	11300.85	4014.21S	6636.48W	1690710.25	-223564.54	n28	2 54.34	w92 17 30.10

All data in feet unless otherwise stated. Calculation uses minimum curvature method.

Coordinates from N and TVD from 126' RKB (126.00 Ft above mean sea level).

Bottom hole distance is 8183.68 on azimuth 238.78 degrees from wellhead.

Vertical section is from N 0.00 W 0.00 on azimuth 238.90 degrees.

Grid is lambert - Louisiana South (1702).

Lambert coordinates in FEET and computed using the Clarke - 1866 spheroid

Presented by Baker Hughes INTEQ

FORCENERGY, INC.

PROPOSAL LISTING Page 4

CS-G-2580/16314 (VERMILION 380-A & MISC)Vermilion
VERMILION AREA SOUTH ADDITION, OFFSHORE LOUISIANA

Your ref : Rev 3.1; Name Change (3/23/00)
Last revised : 23-Mar-2000

Measured Depth	Inclin Degrees	Azimuth Degrees	True Vert Depth	R E C T A N G U L A R C O O R D I N A T E S	G R I D Easting	C O O R D S Northing	G E O G R A P H I C C O O R D I N A T E S
4500.00	39.16	237.78	11688.55	4182.54S	6903.60W	1690443.13	-223732.87 n28 2 52.66 w92 17 33.06
4677.26	39.16	237.78	11826.00	4242.21S	6998.30W	1690348.43	-223792.54 n28 2 52.06 w92 17 34.11

All data in feet unless otherwise stated. Calculation uses minimum curvature method.

Coordinates from N and TVD from 126' RKB (126.00 Ft above mean sea level).

Bottom hole distance is 8183.68 on azimuth 238.78 degrees from wellhead.

Vertical section is from N 0.00 W 0.00 on azimuth 238.90 degrees.

Grid is Lambert - Louisiana South (1702).

Lambert coordinates in FEET and computed using the Clarke - 1866 spheroid

Presented by Baker Hughes INTEQ

Comments in wellpath

MD	TVD	Rectangular Coords.	Comment
6400.00	5400.86	1536.92S 2552.10W	Tie-On/KOP
12412.72	10070.00	3482.92S 5786.67W	7'' Csg
13258.64	10726.00	3764.63S 6240.41W	B Sand
14677.26	11826.00	4242.21S 6998.30W	Proposed BHL

Casing positions in string 'A'

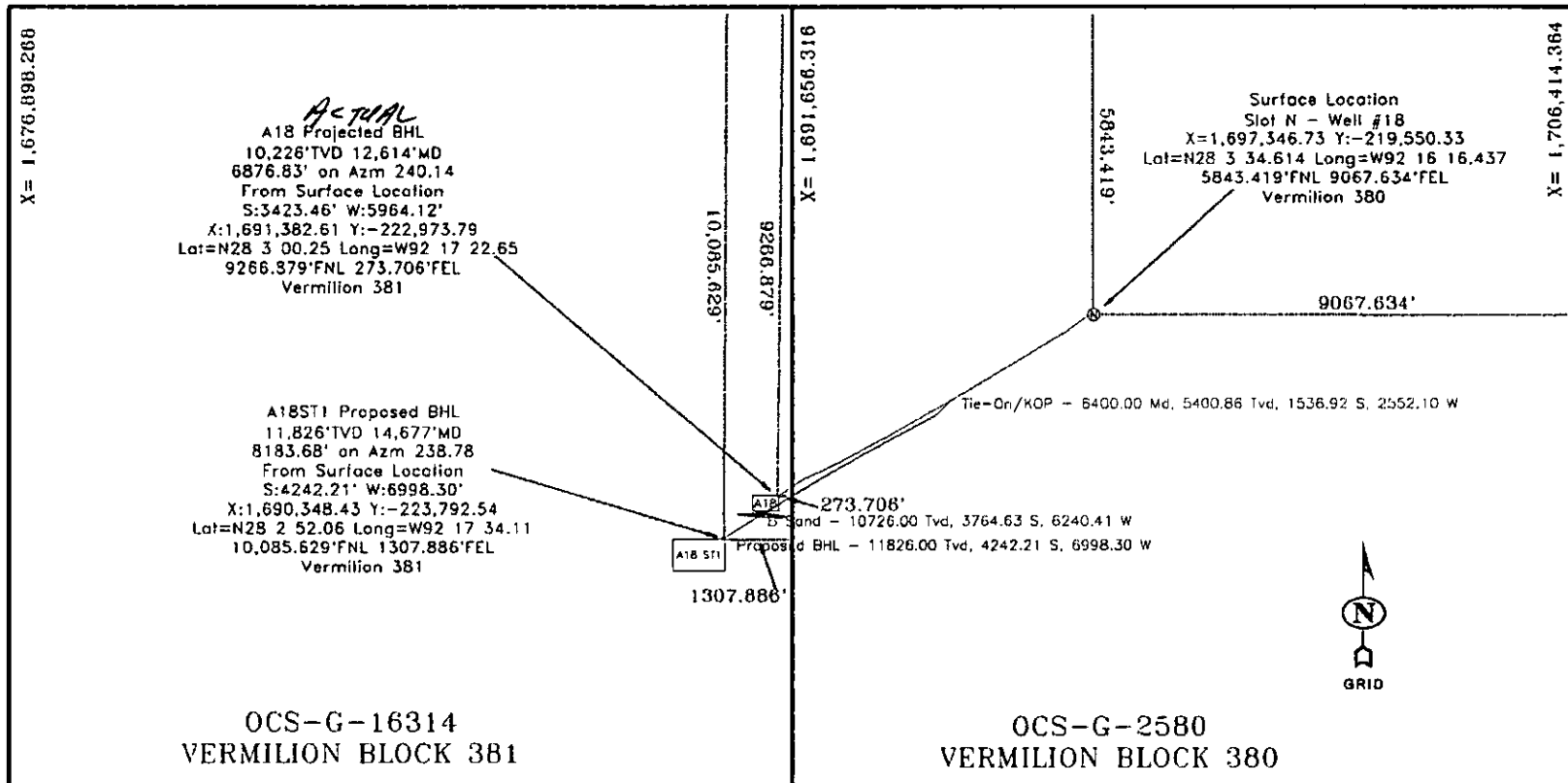
Top MD	Top TVD	Rectangular Coords.	Bot MD	Bot TVD	Rectangular Coords.	Casing
n/a	5400.86	1536.92S 2552.10W	12412.72	10070.00	3482.92S 5786.67W	7'' Csg

Targets associated with this wellpath

Target name	Geographic Location	T.V.D.	Rectangular Coordinates	Revised
B SAND (T2 2/2/00)	1691106.316, -223314.959, 999.0	10726.00	3764.63S 6240.41W	30-Sep-1999

Scale 1 cm = 600 ft

Y = -213,706.911



Y = -228,464.959

FORCENERGY, INC.

Structure : OCS-G-2580/16314 (VERMILION 380-A & MISC) Well : A18 ST1, OCS0-16314; BHL VE 381

Field : VERMILION AREA SOUTH ADDITION Location : OFFSHORE LOUISIANA



INTEQ

All Coordinates Based On:
 Lambert - Louisiana South (1702) Projection
 Using Clarke - 1866 Spheroid

FILE: fve380_381

PROPOSED
WELLBORE SCHEMATIC

March 23, 2000
N.M.Fakier

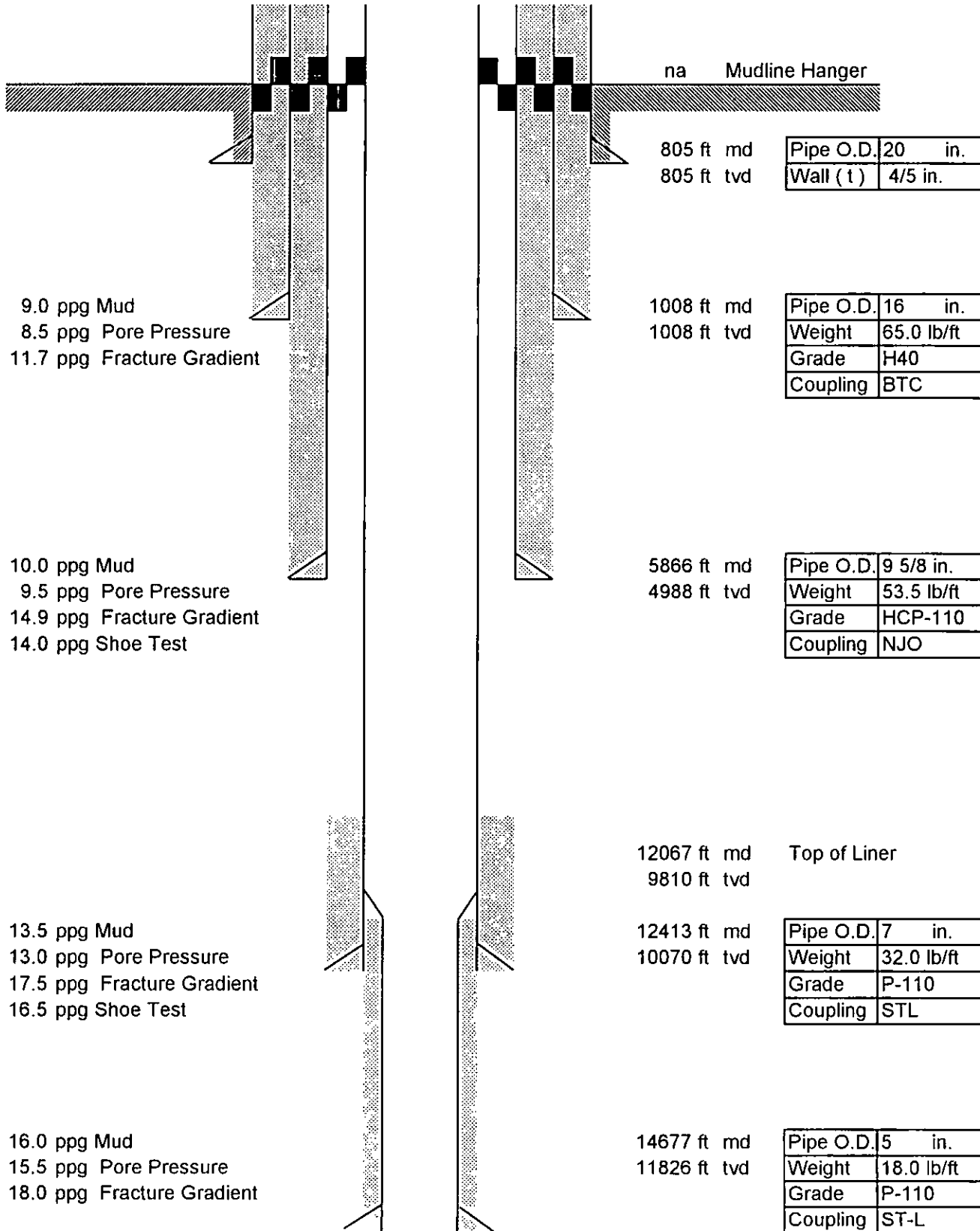
FIELD: Vermilion 381

OCSG: 16314

Well: A18 ST#1

Surface Location: 5843' FNL & 5690' FWL Of Vermilion Blk. 380

Bottomhole Location: 10085' FNL & 1308' FEL Of Vermilion Blk. 381





Minerals Management Service

After Hours District Verbal Approval

Date: 3 125100 Time: 1640 Phone: 504571-2910
To: Lionel Mire Company: Jovenergy
Lease OCS-G 16314 Well: A-18 Area/Block: VR 381
Total Depth: 6400 MD Water Depth: 320 MW: 13.0
TVD RKB: 126 Rig: Pool 16
Verbal For: ST after surface is repair
 See Attachment if checked (Attach drawing if required)

Perf'd 9 5/8 trying to squeeze - no squeeze
set patch: 698 to 718 tested to 3600
above 750.
6400-6900 ST plug
KOP @ 6400
12 min
JWR Done

Approved By: J. D. W.
Note: See Reverse for some guidelines.